



# NAT120

MONOC. EMBUTIR SANITA/BIDÉ C/CHUVEIRO  
SHUT-OFF NATURE



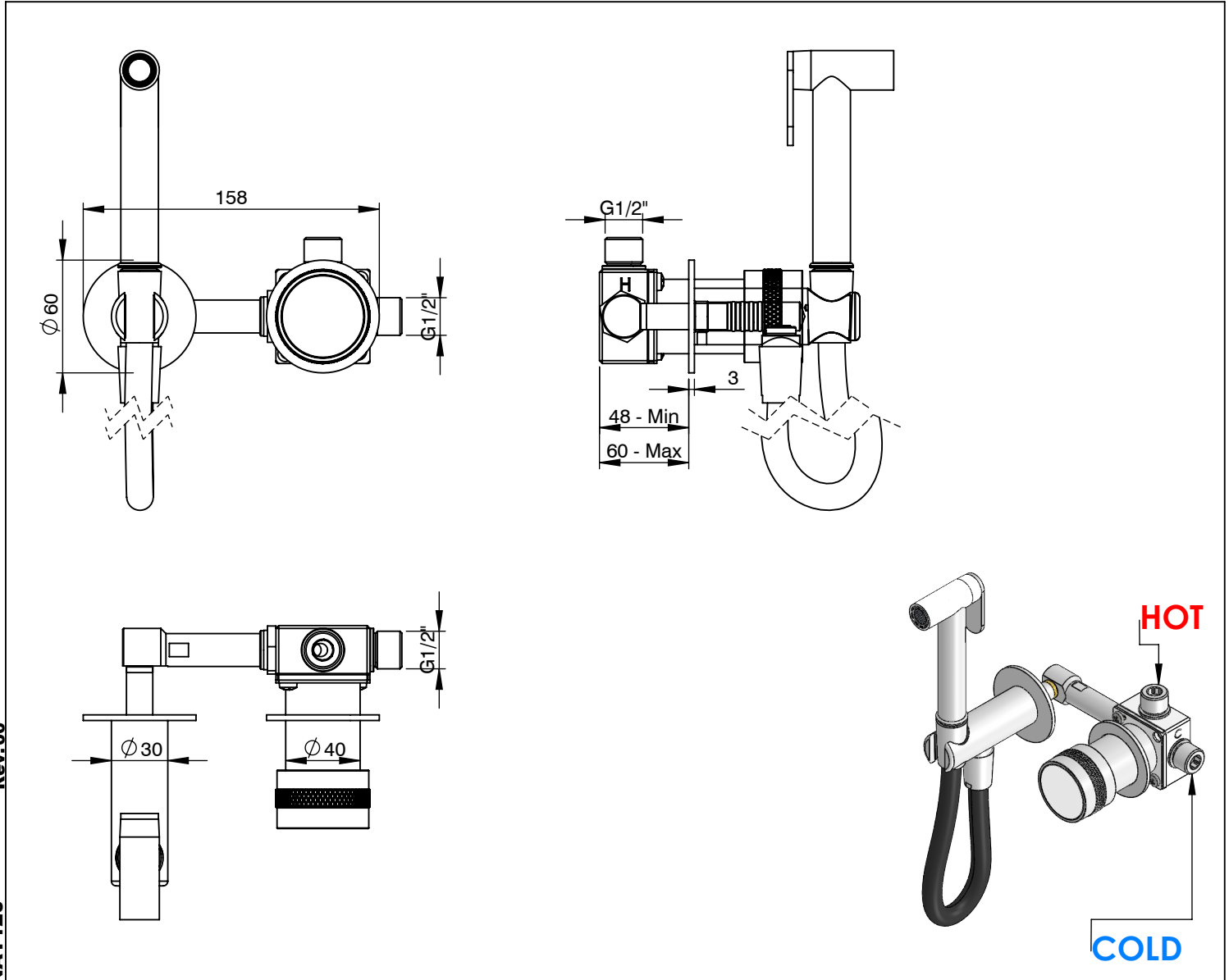
A S M T A P S<sup>®</sup>

WATER SOUL

**EN** CONCEALED TOILET/BIDET MIXER WITH  
SHUT-OFF SHOWER NATURE

**FR** MITIGEUR ENCASTRÉ BIDET/TOILETTE  
DOUCHETTE SHUT-OFF NATURE

**ES** MONOMANDO EMPOTRAR BIDET/INODORO  
DUCHA SHUT-OFF NATURE



Rev.00

NAT120





## CARACTERÍSTICAS TÉCNICAS

PRESSÃO RECOMENDADA: RECOMMENDED PRESSURE:	3 - 4 BAR
TEMPERATURA RECOMENDADA: RECOMMENDED TEMPERATURE:	15°C - 65°C
MATERIAIS: MATERIALS:	Latão
TEMPERATURA MÁXIMA: MAXIMUM TEMPERATURE:	70°C
CAUDAL MÁXIMO A 3 BAR: MAXIMUM FLOW AT 3 BAR:	L/MIN
LIGAÇÃO DE ENTRADA: INPUT CONNECTION:	G1/2"
LIGAÇÃO DE SAÍDA: OUTPUT CONNECTION:	G1/2"
PESO (KG): WEIGHT (KG):	2,4
DIMENSÕES EMBALAGEM (MM): SIZE PACKAGING (MM):	274x162x102

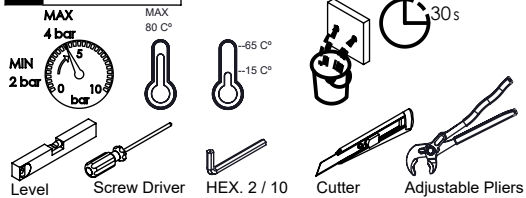
## ACABAMENTOS

CR - CROMADO   CHROME   CHROME   CROMO
PR - PRETO MATE   BLACK MATT   NOIR MAT   NEGRO MATE
BR - BRANCO MATE   WHITE MATT   BLANC MAT   BLANCO MATE
ST - SATINOX   SATINOX   SATINOX   SATINOX
AT - ANTRACITE   ANTHRACITE   ANTHRACITE   ANTRACITA
GM - GUNMETAL   GUNMETAL   GUNMETAL   GUNMETAL
GMM - GUNMETAL MATE   GUNMETAL MATT   GUNMETAL MAT   GUNMETAL MATE
OR - DOURADO   GOLD   DORÉ   DORADO
ORM - DOURADO MATE   GOLD MATT   DORÉ MAT   DORADO MATE
CB - COBRE   COPPER   CUIVRE   COBRE
CBM - COBRE MAT   COPPER MAT   CUIVRE MAT   COBRE MATE

## TECNOLOGIA

-  AC1340 - Cartucho Ø35 Progressivo  
AC1340 - Ø35 Progressive Cartridge
-  Embutido a parede  
Built-in to wall
-  Chuveiro Click-Stop  
Click-Stop Shower
-  Ligação banheira/duche 1,70mt silicone  
Bath/shower connection 1.70 mt silicone

# ! SERVICE



# NAT120

MONOC. EMBUTIR SANITA/BIDÉ  
C/CHUVEIRO SHUT-OFF NATURE

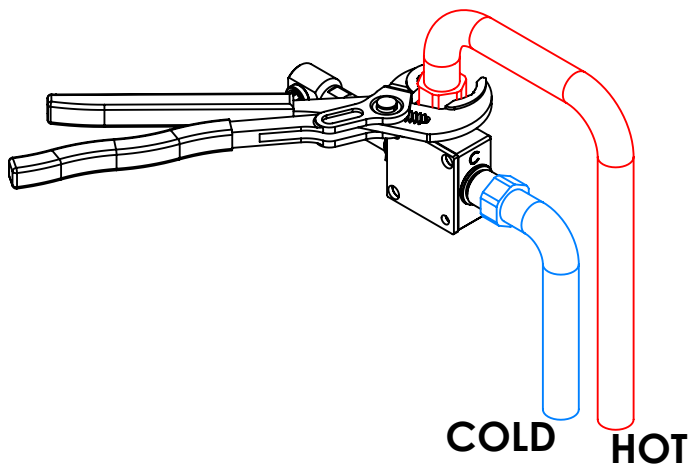


A S M T A P S ®

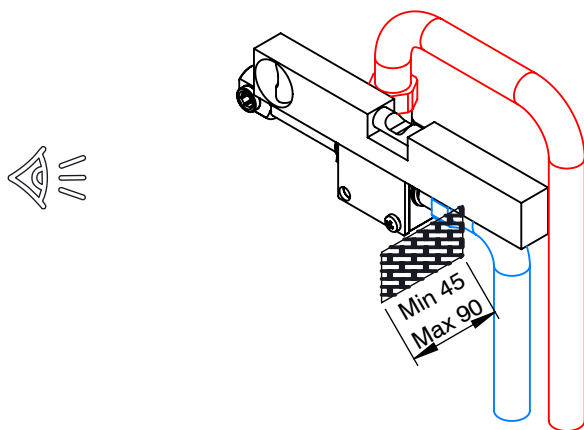
W A T E R S O U L

## INSTALLATION MANUAL

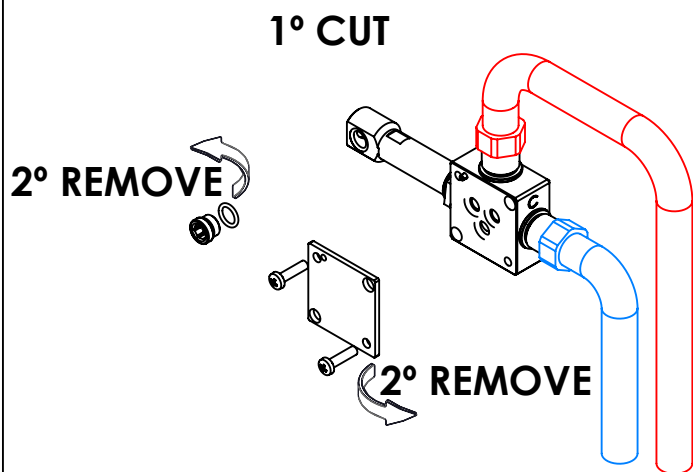
### 1 CONECTION



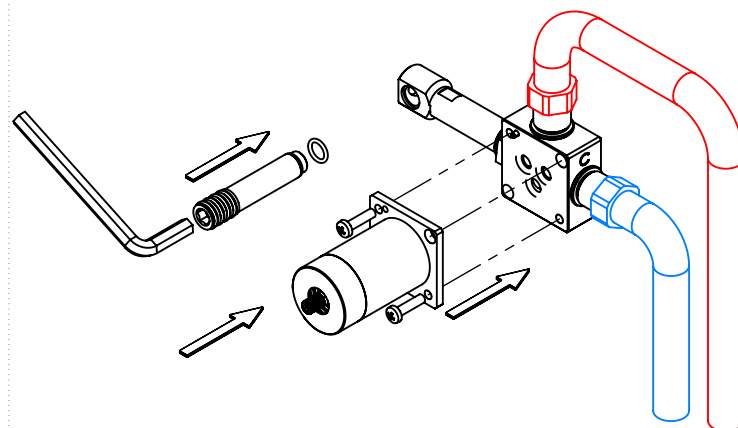
### 2 FIXED



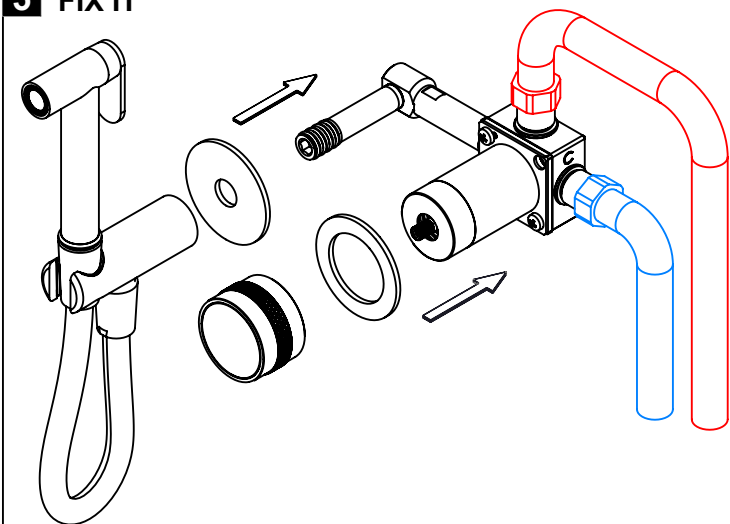
### 3 REMOVE PROTECTION



### 4 FIX IT



### 5 FIX IT



### 6 MAINTENANCE

