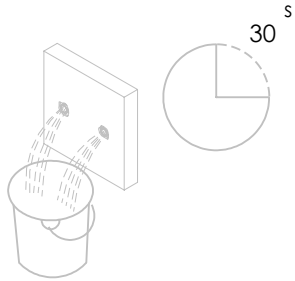
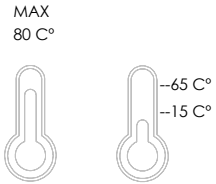


|                        |   |  |          |
|------------------------|---|--|----------|
| ESC.<br>1:5            | Monocomando Embutir 2/3 Vias<br>Com Chuveiro Mão  |  |          |
| Desenhou<br>16/11/2020 | <br><b>A S M T A P S</b><br>WATER SOUL |  | BIA090C1 |
| Rev: 1<br>16/03/2022   |   |  |          |

Service:

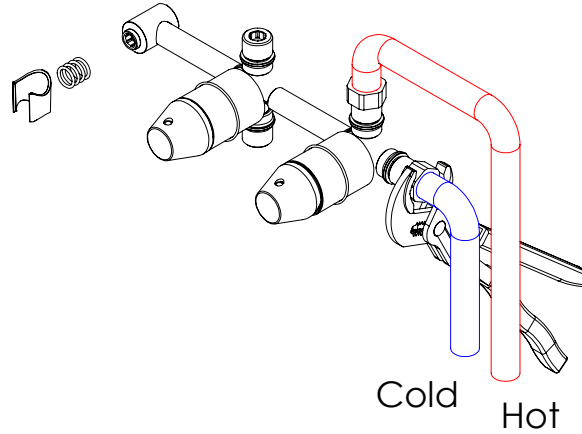


- Adjustable Pliers
- Screw Driver
- level
- 2 / 2.5 / 6 / 8 mm

## Washbasin Mixer Installation Manual

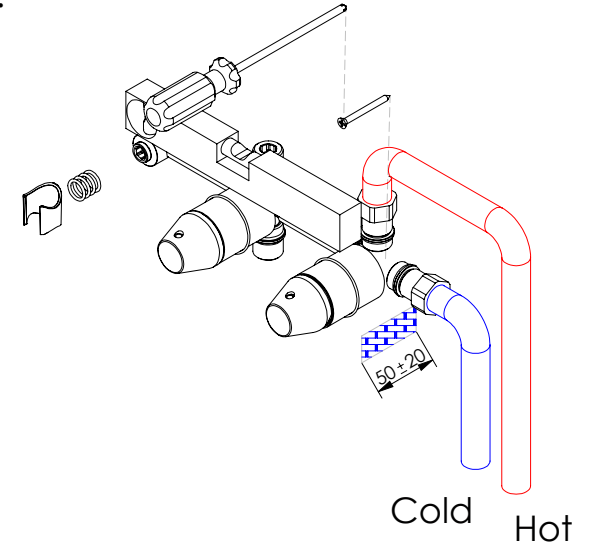
2°

Conection:



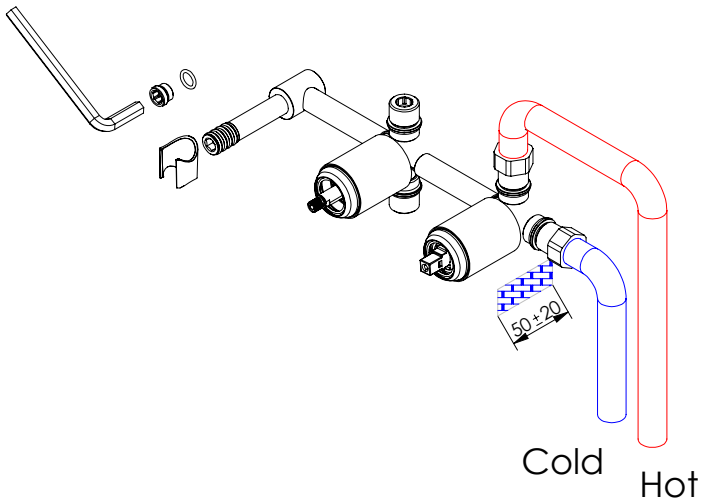
3°

Fixed:

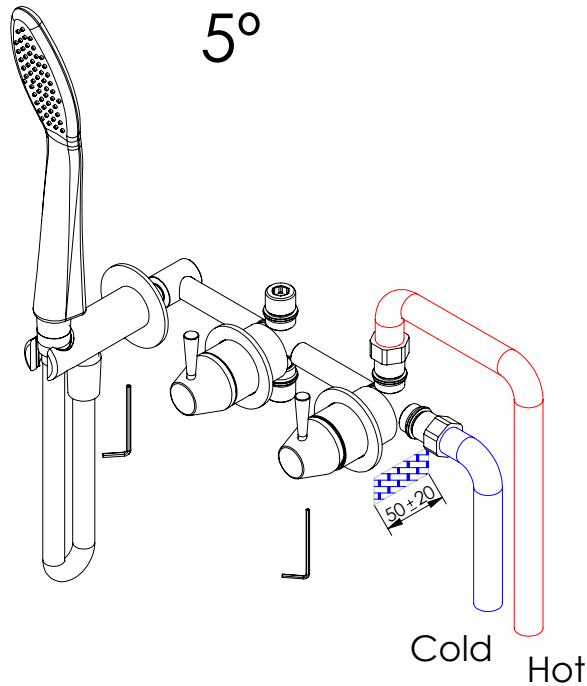


4°

Remove Protection:



5°



Maintenance:

