

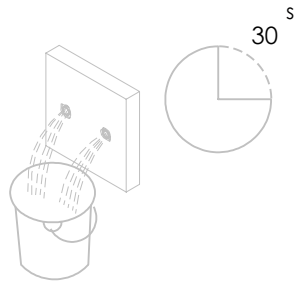
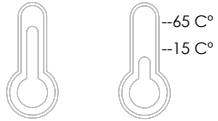
ESC. 1:2	Tomada Água Completa			
Desenhou 17/11/2020	 <b>A S M T A P S</b> <sup>®</sup> WATER SOUL			BIA130
Rev: 1 21/03/2022				

1°

Service:



MAX 80 C°



Adjustable Pliers

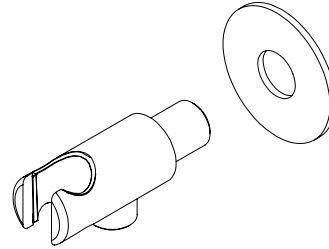


Level

## Washbasin Mixer Installation Manual

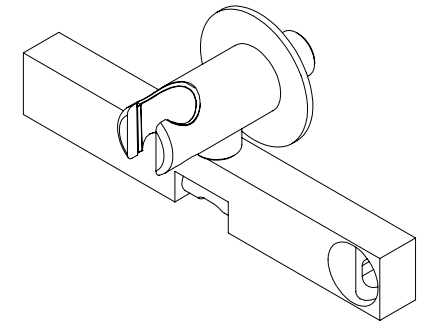
2°

Conection:



3°

Fixed:



4°

