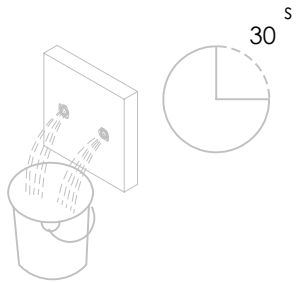
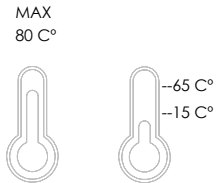


ESC. 1:2	Tomada Água Completa			
Desenhou 06/01/2023	 A S M T A P S [®] WATER SOUL			BOLD130
Rev:				

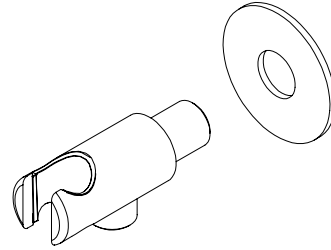
Service:



Washbasin Mixer Installation Manual

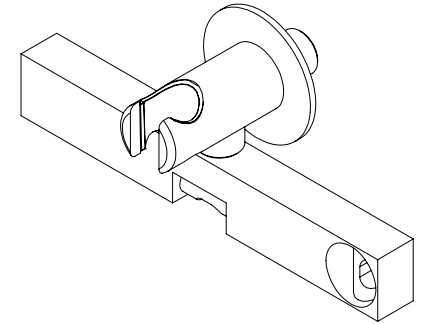
2°

Conection:



3°

Fixed:



4°

