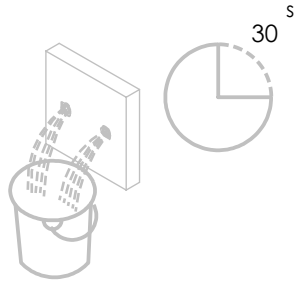
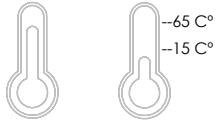


ESC. 1:2	Tomada Água Completa			
Desenhou 21/10/2020	 <b>A S M T A P S</b> <sup>®</sup>			CZ130
Rev: 1 29/03/2022	<small>W A T E R S O U L</small>			

Service:



MAX  
80 C°



Adjustable Pliers

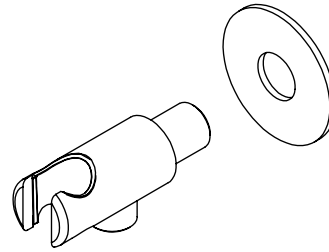


Level

# Washbasin Mixer Installation Manual

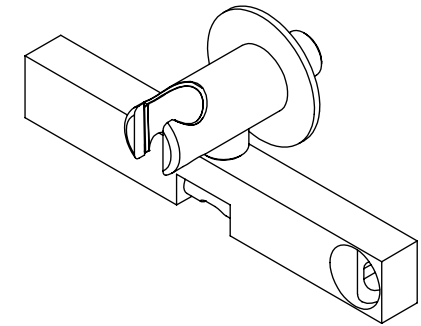
2°

Conection:



3°

Fixed:



4°

