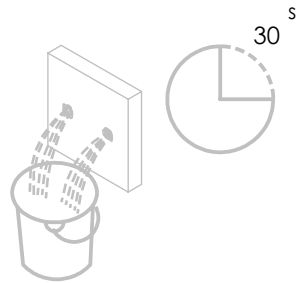
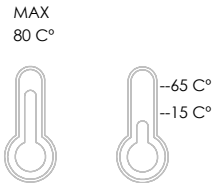


ESC. 1:3	Monocomando Lavatório Parede/Bancada		
Desenhou 18/11/2022	 ASM TAPS <small>WATER SOUL</small>		LUX100
Rev: 18/11/2022			

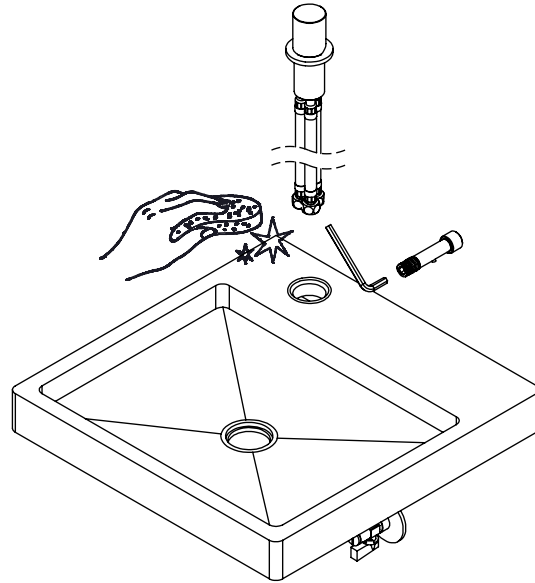
Service:



- Adjustable Pliers
- Special Key 16,5
- 16 (...) 25
- 2 / 6 mm

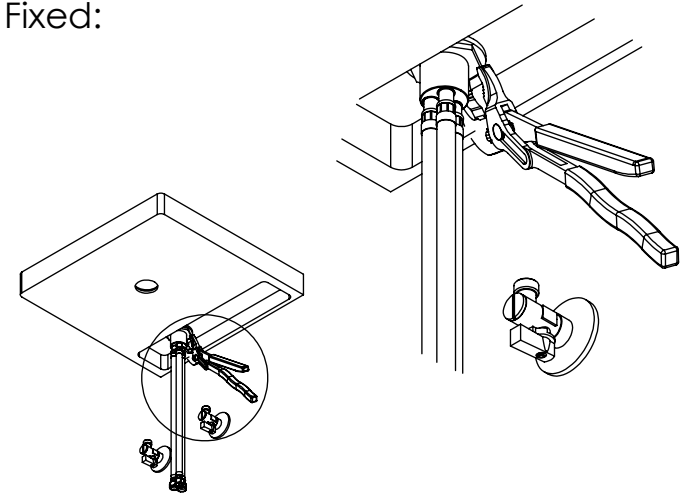
Washbasin Mixer Installation Manual

2°



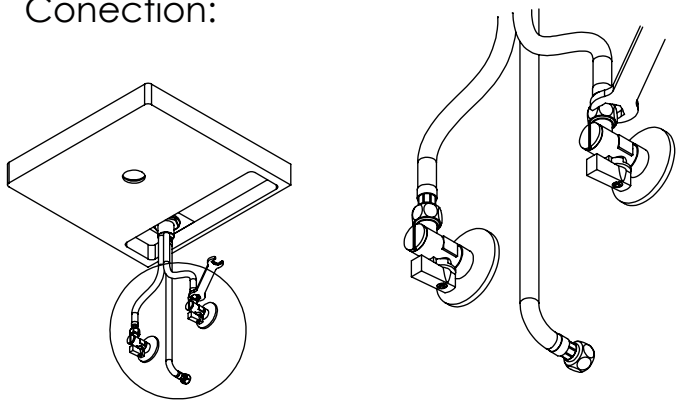
3°

Fixed:

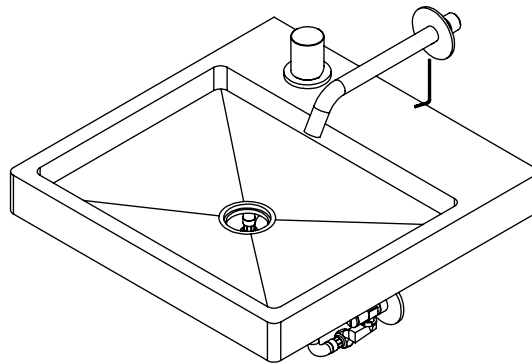


4°

Conection:



5°



Maintenance:

