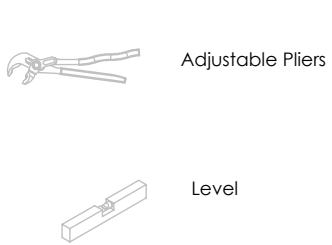
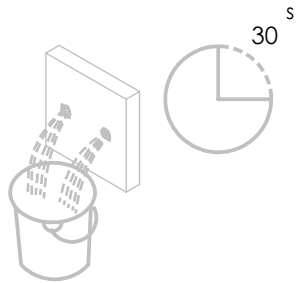
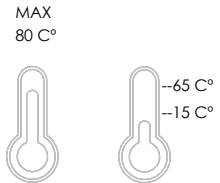


ESC. 1:2	Tomada Água Completa						
21/11/2022	 A S M T A P S ⁺ WATER SOUL	LUX130					

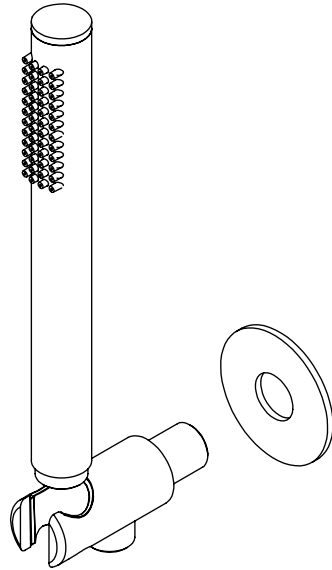
Service:



Washbasin Mixer Installation Manual

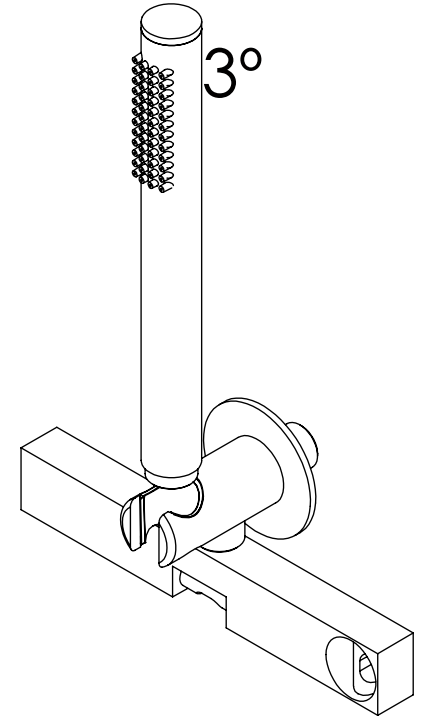
2°

Conection:



3°

Fixed:



4°

