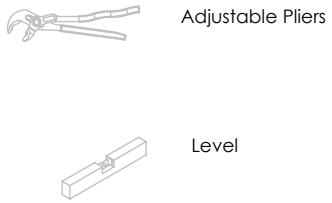
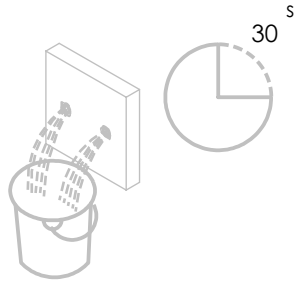
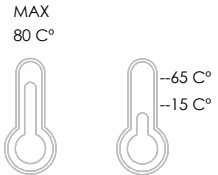


ESC. 1:2	Tomada Água Completa			
23/10/2020			PLAN130	

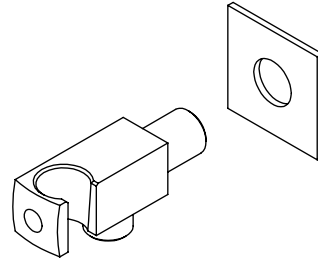
Service:



Washbasin Mixer Installation Manual

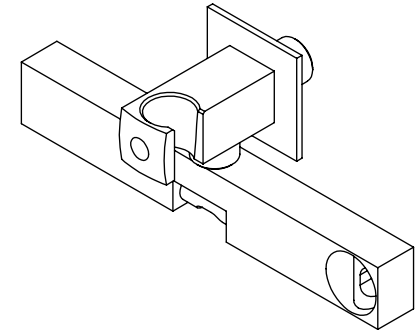
2°

Conection:



3°

Fixed:



4°

