
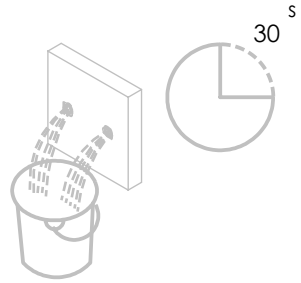
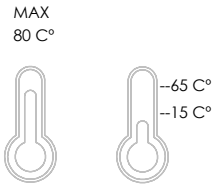


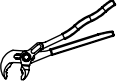
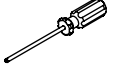
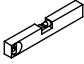

|                        |  |  |  |         |
|------------------------|--|--|--|---------|
| ESC.<br>1:2            | Misturadora Embutir Termostática   |  |  |         |
| Desenhou<br>10/11/2021 | <br><b>A S M T A P S</b> <sup>®</sup> |  |  | TERC090 |
| Rev: 0<br>10/11/2021   | <small>W A T E R S O U L</small>   |  |  |         |
|                        |  |  |  |         |

# Washbasin Mixer Installation Manual

Service:

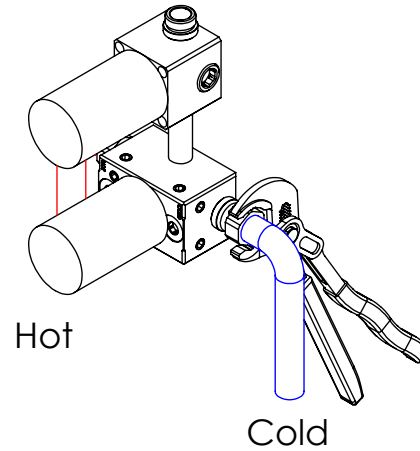
1°



-  Adjustable Pliers
-  Screw Driver
-  level
-  2 / 2.5 / 8 mm

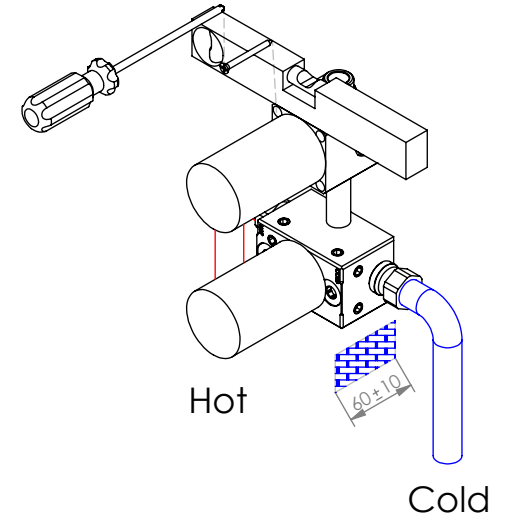
Conection:

2°



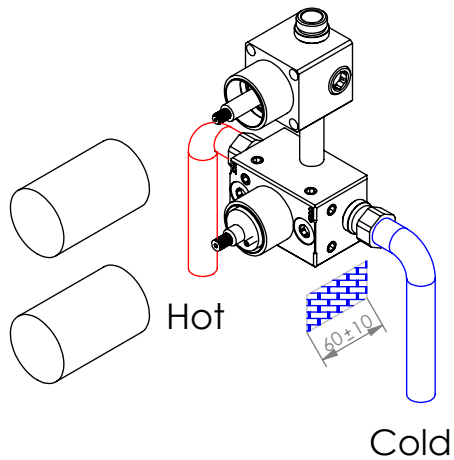
Fixed:

3°

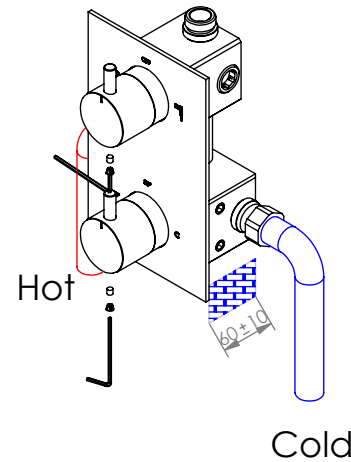


4°

Remove Protection:



5°



Maintenance:

