


**MAX Factory regulation Temperature: +/- 43°C**

**NOTE:** If you need to adjust more temperature, turn part N°12 according to the drawing.

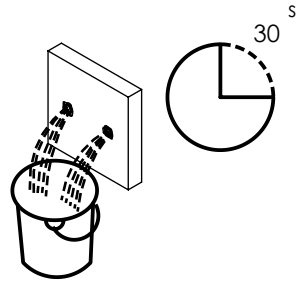
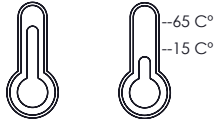
ESC. 1:2	Misturadora Embutir Termostática 1 VIA		
Desenhou 22/03/2023			TERCBOLD090
Rev:			

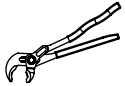
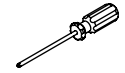
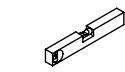

## 1°

Service:



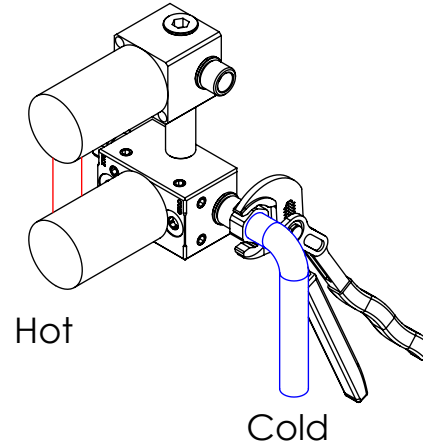
MAX  
80 C°



-  Adjustable Pliers
-  Screw Driver
-  level
-  2 / 2.5 / 8 mm

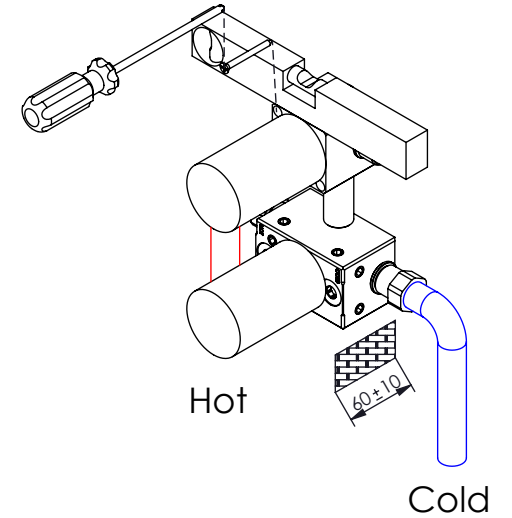
## 2°

Conection:



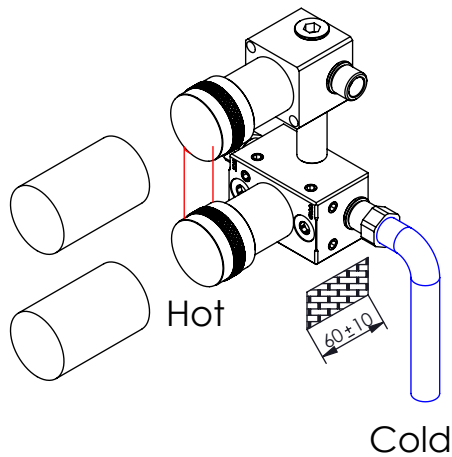
## 3°

Fixed:

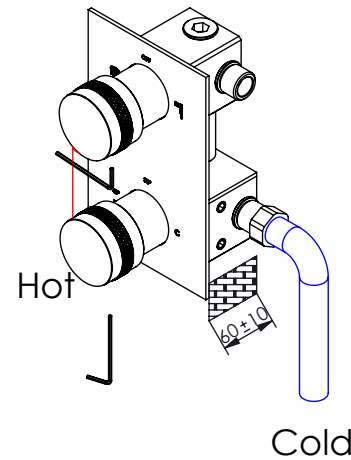


## 4°

Remove Protection:



## 5°



Maintenance:

