

**MAX Factory regulation Temperature: +/- 43°C**

**NOTE:** If you need to adjust more temperature, turn part N°12 according to the drawing.

ESC. 1:2	Misturadora Embutir Termostática 1 VIA						
Desenhou 22/03/2023							
Rev:							

TERLUX090

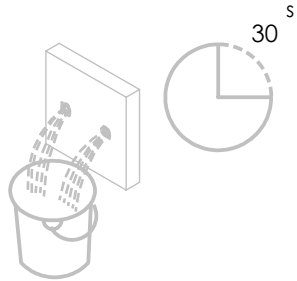
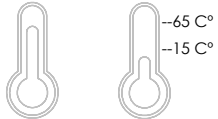
# Washbasin Mixer Installation Manual

Service:

1°



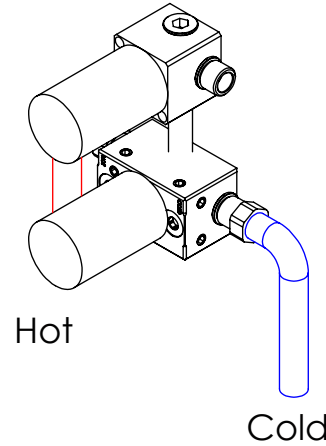
MAX  
80 C°



- Adjustable Pliers
- Screw Driver
- level
- 2 / 2.5 / 8 mm

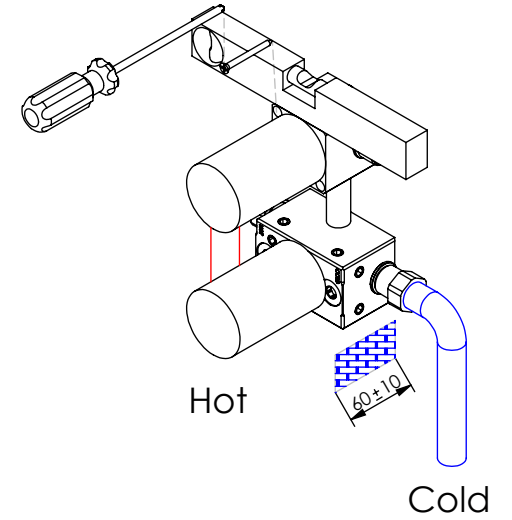
Conection:

2°



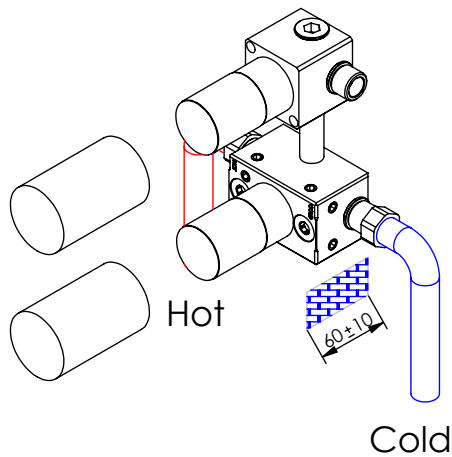
Fixed:

3°

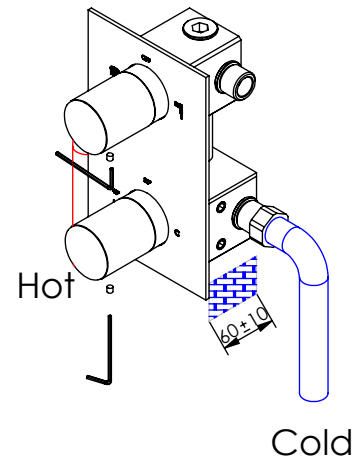


4°

Remove Protection:



5°



Maintenance:

